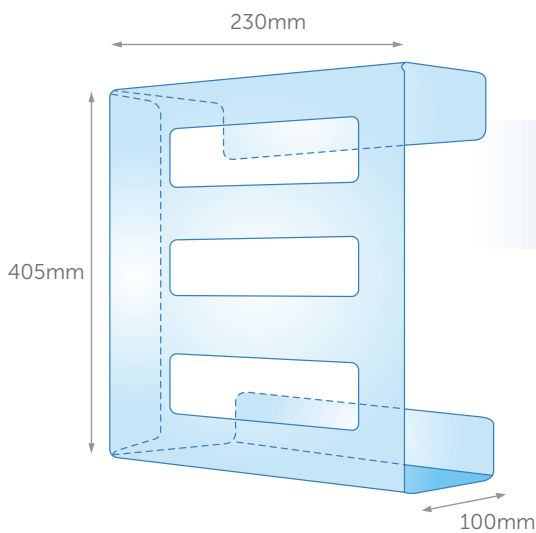


DS1-C

Glove Dispenser Clear Acrylic, Single

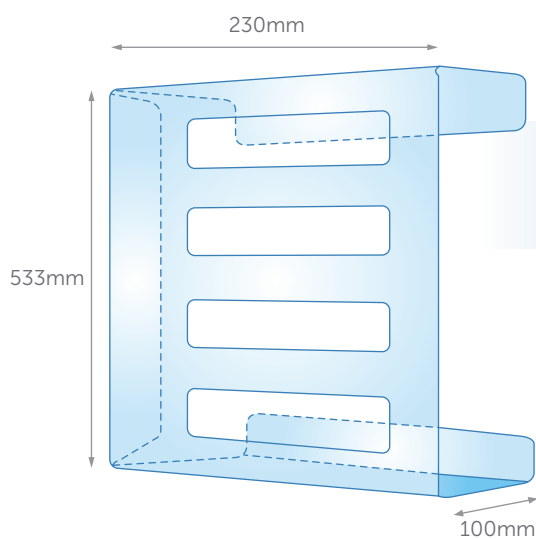
DS1 is a clear acrylic dispenser, capable of holding one box of GloveOn® gloves. The DS1 is designed to provide greater ease of dispensing with slots at the back and a one-sided acrylic design for easy loading.



DS30-C

Glove Dispenser Clear Acrylic, Triple

DS30 is a clear acrylic dispenser, capable of holding three boxes of GloveOn® gloves. The DS30 is designed to provide greater ease of dispensing and can be wall-mounted both horizontally and vertically.



DS40-C

Glove Dispenser Clear Acrylic, Quadruple

DS40 is a clear acrylic dispenser capable of holding four boxes of GloveOn® gloves. The DS40 is designed to provide greater ease of dispensing in environments with a higher demand for gloves, and can be wall-mounted both horizontally and vertically for ease of access.

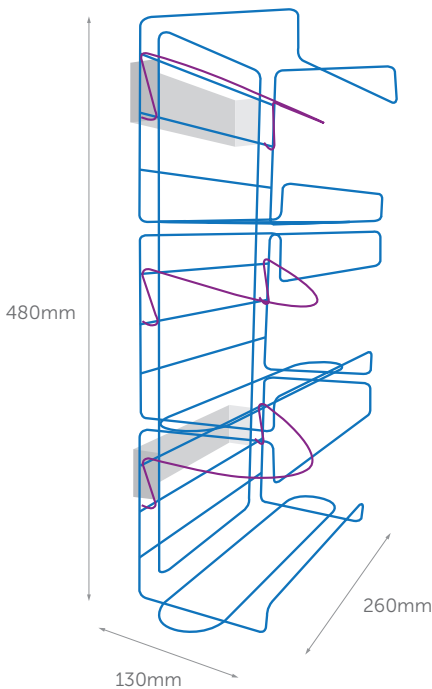
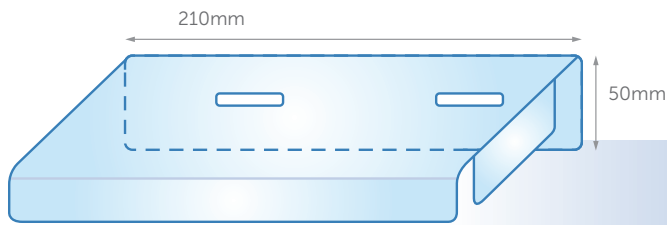
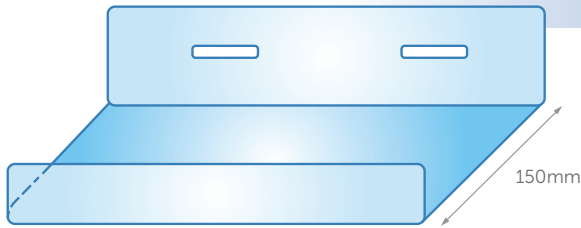
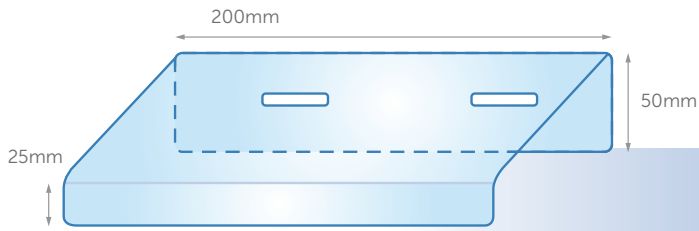
A brand by



Mun Australia
Toll free: 1800 456 837
munglobal.com.au



Protection Always On



DSM10

Multi-purpose Dispenser Clear Acrylic

DSM10 is a clear acrylic dispenser, with a multi-purpose nature. The DSM10 can be used to hold any type of product – from gowns to face masks – with ease. It can also be used interchangeably with parts from the DSM20. This capability makes the DSM10 highly versatile and ideal for any workplace and any environment.

DSM20

Multi-purpose Dispenser Clear Acrylic, Stopper

DSM20 is a clear acrylic dispenser, designed specifically to hold GloveOn® Aegis gloves. However, like the DSM10, the DSM20 can be used to hold any type of product, thus making it extremely versatile. The DSM20 can be used interchangeably with parts from the DSM10, and provides a side flap to increase ease of loading and security of its contents.

DSW-S30

Exam Glove Dispenser Metal Wire, Triple with Spring

DSW-S30 is constructed with a springback to complement the sturdy design of the metal wire frame, which can hold three boxes of GloveOn® gloves. The springback feature provides a secure fit and optimum position for the glove box, which allows for easier dispensing.

A brand by



Mun Australia

Toll free: 1800 456 837
munglobal.com.au



Proud Supporter of
Birthing Kit Foundation (Australia)



Protection Always On